



TM

Uni-Tech Valves & Pneumatics

ISO 9001 - 2008

FLAP TYPE CHECK VALVE

MODEL NO : UTFCV

REFERENCE STANDARDS

Design : BS 7438
 Face to Face : ASME B16.10
 Testing : API 598

DESIGN FEATURES

Size Range : 25 NB to 400 NB
 Pressure Rating : PN 10/ PN 16
 Seat Leakage : Class VI - Soft Seat
 Operation : Self Acting
 Operating Temp. : -25°C to 200°C

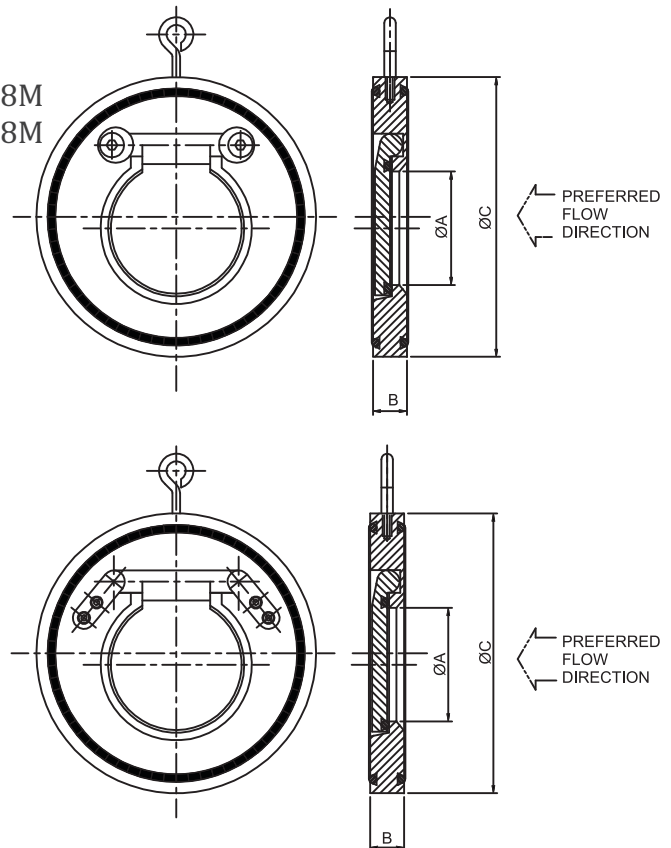


TECHNICAL SPECIFICATION

Body : SGI/ A216 GR.WCB/ A351 GR. CF8/CF8M
 Disc : SGI/ A216 GR.WCB/ A351 GR. CF8/CF8M
 Seat : EPDM/ Nitrile/ Viton/ PTFE

DIMENSIONS (mm)

SIZE	ØA	B	ØC	
			PN 10	PN 16
25	14	16	72	72
40	22	19	93	93
50	30	19	108	108
65	40	19	128	128
80	52	19	143	143
100	71	19	163	163
125	93	19	193	193
150	114	19	219	219
200	157	28.5	274	274
250	195	28.5	329	329
300	230	38	379	385
350	270	44.5	438	444
400	310	51	489	496



APPLICATIONS

Oil Refineries, Chemical & Solvent Industries
 Petrochemical Industries
 Process Industries Compressed Air/ Gas/ Water/ Steam

Uni-Tech Valves & Pneumatics

Plot No - 6235, Road No : 62, GIDC Sachin Surat. 394230, Contact : +91- 261-2398605/2398602, Mob : 9904000336
 Email : utvalves@yahoo.com
 unitechvalves@yahoo.com

www.unitechvalves.com